

# RESERVOIR VENT DRYERS



## Product Description

Reservoir Vent Dryers has been developed to protect storage drums and tanks during operation. As fluid is drawn from the reservoir or the air above, the fluid is displaced by temperature variations. The air entering the reservoir passes through an active bed of desiccant which removes and retains the water vapour.

The Reservoir Vent Dryers are fast and simple to install. The Envirogel Desiccant are easy to change and visible. Once the Envirogel Desiccant changes from orange to green, the charge should be changed as the desiccant has become saturated by water vapour.

This product is useful for companies which has storage drums, tanks and reservoirs as it requires no energy and provides around the clock protection for your items. The Reservoir Vent Dryer is able to prevent your fluids from absorbing water vapour and condensing. Once your fluids condensate, it will have permanent physical and chemical changes, making it unusable. Field test has shown that when the Reservoir Vent Dryer are installed the airspace above is safe from condensation within a short few hours.

## Industries Served

- Power & Refinery



**STREAM PEAK INTERNATIONAL PTE LTD**  
Tel: +65 6610 7921 | Fax: +65 6862 2520  
Email: [enquiry@streampeak.com.sg](mailto:enquiry@streampeak.com.sg)

*Valuing Relationships, Protecting Goods*  
Address: 26 Tuas South Street 3, S(638026)  
Website: [www.streampeak.com.sg](http://www.streampeak.com.sg)

## Key Features

- Quick and easy to install
- Visual colour change
- Prevents product contamination
- Rechargeable
- No energy requirements
- Constant protection
- Minimised pressure differentials
- Provide full weather protection
- Assist flame suppression
- Reduced odour emissions
- Dual thread mounting option



Suitable for:  
205 litres drums and  
1000 litres reservoirs

The Vent Dryer begins to work from the moment it is installed. Practical field trials have demonstrated that when a Vent Dryer is fitted to a new drum, tank or reservoir of polished fluid the airspace above the fluid is safe from condensation within a few hours.

Air movement results from changes in temperature, barometric pressure and fluid pumping.

## Product Specifications

Selection	Standard Duty Industrial	Heavy Duty Industrial	Standard Duty Ultra Clean	Heavy Duty Ultra Clean
<b>Part No.</b>	BL/D7870/01	BL/D7870/02	BL/D7548/01	BL/D7548/02
<b>DIMN 'A'</b>	16cm	25cm	16cm	25cm
<b>Desiccant Capacity</b>	0.6kg	1.2kg	0.6kg	1.2kg
<b>Adsorption Capacity</b>	90 grams	180 grams	60 grams	120 grams
<b>Air Drying Capacity</b>	6 cubic meters	12 cubic meters	4 cubic meters	8 cubic meters
<b>Filtration</b>	25 microns (nominal)		0.2 microns (nominal)	
<b>Mounting Thread</b>	Supplied with ¾ " BSPT Adaptor Part No. BLD7874			
<b>Optional Adaptor</b>	2" BSPT Part No. BLD7973			
<b>Activated Carbon Order Code</b>	BL/D7870/01/AC	BL/D7870/02/AC	BL/D7548/01/AC	BL/D7548/02/AC

## Related Products



Silica Gel



Humidity Indicator Card



Wall Mounted Tank Vent Dryers



Adsormats

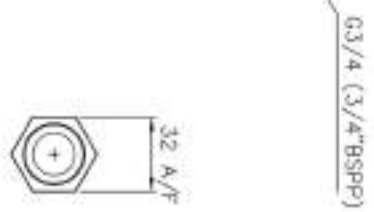
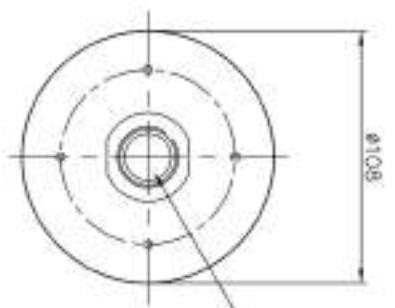
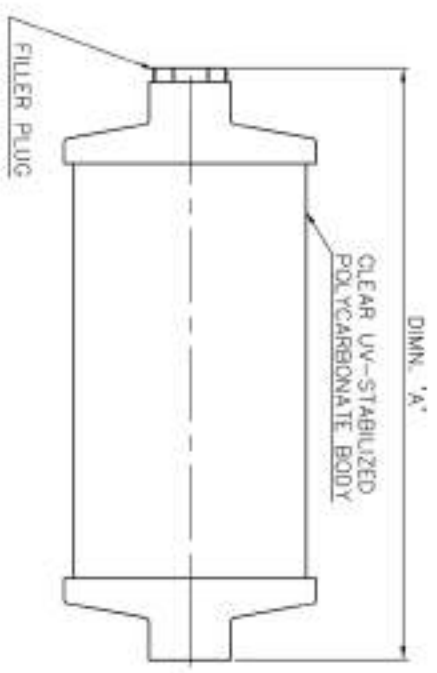


DRG No  
BL/D7548/01-02 INST  
USED ON \_\_\_\_\_

REMOVE ALL SHARP EDGES UNLESS SPECIFIED

THIRD ANGLE PROJECTION

DO NOT SCALE - ASK



DRG. No.	DIMN. 'A'
BL/D7548/01	162
BL/D7548/02	254

3/4" BSPPT ADAPTOR PLUG

NOTES :-

- 1) FILLED WITH INDICATING BEADED SILICA GEL DESICCANT.
- 2) DRY AIR OUTLET CLEANLINESS LEVEL : 0.5 MICRONS.
- 3) DRYER IS SUPPLIED WITH A 3/4" BSPPT ADAPTOR PLUG.
- 4) 2" BSPPT ADAPTOR PLUG IS AVAILABLE - PART No. BL/D7696

EST. WT. _____	MATERIAL POLYCARBONATE (UNLESS OTHERWISE STATED)	PROTECTIVE FINISH _____	TOLERANCES	
			± 2	
	SURFACE TEXTURE			
	DIMENSIONS IN IN/MM	MM/IN		
	SCALE (ORIGINAL)	1:2		

**BROWNELL Ltd. LONDON NW10 7XF**  
 TITLE RESERVOIR VENT DRYER  
 (ULTRA CLEAN RANGE)

REDRAWN	6/279	5	08-09-08
CHANGE	WOC No	ISSUE	DATE

DRAWING NUMBER BL/D7548/01-02 INST	<input checked="" type="checkbox"/> RED COPY-ORIGINAL <input type="checkbox"/> BLACK COPY	DRAWN PK	CHECKED
---------------------------------------	--	-------------	---------

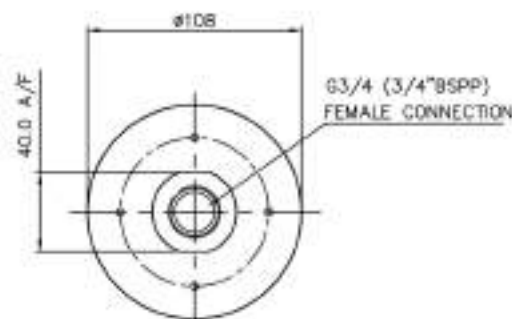
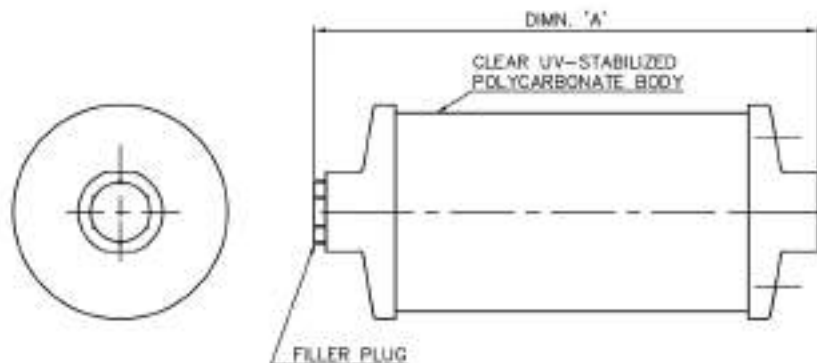
THIS DRAWING IS THE PROPERTY OF BROWNELL LTD. AND MAY NOT BE COPIED OR REPRODUCED WITHOUT THEIR PRIOR WRITTEN PERMISSION

DRG No  
BL/D7870/01-03 INST  
USED ON \_\_\_\_\_

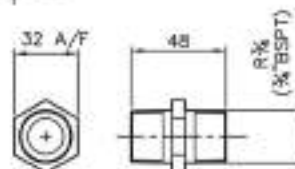
REMOVE ALL SHARP EDGES UNLESS SPECIFIED

THIRD ANGLE PROJECTION

DO NOT SCALE - ASK



DRG. No.	DIMN. 'A'
BL/D7870/01	162
BL/D7870/02	254
BL/D7870/03	352



**NOTES :-**

- 1) FILLED WITH INDICATING BEADED SILICA GEL DESICCANT.
- 2) DRY AIR OUTLET CLEANLINESS LEVEL : 25 MICRONS.

CHANGE	MOD No	ISSUE	DATE
	6775	7	12.11.15
	6717	6	17.06.15
	6544	5	13.06.13
RE-DRAWN	6379	4	08.09.08

MATERIAL	PROTECTIVE FINISH	TOLERANCES	TITLE	DRAWN	CHECKED
POLYCARBONATE (UNLESS OTHERWISE STATED)	_____	±2	BROWNELL Ltd. LONDON NW10 7XF	RB	
EST. WT.	_____	SURFACE TEXTURE _____	RESERVOIR VENT DRYER (INDUSTRIAL RANGE)	DRG No	BL/D7870/01-03 INST
		DIMENSIONS IN IN/FRAC		MOD No	
		SCALE (ORIGINAL)		ISSUE	
		1:2		DATE	

DRG No  
BL/D9714/01-02 INST

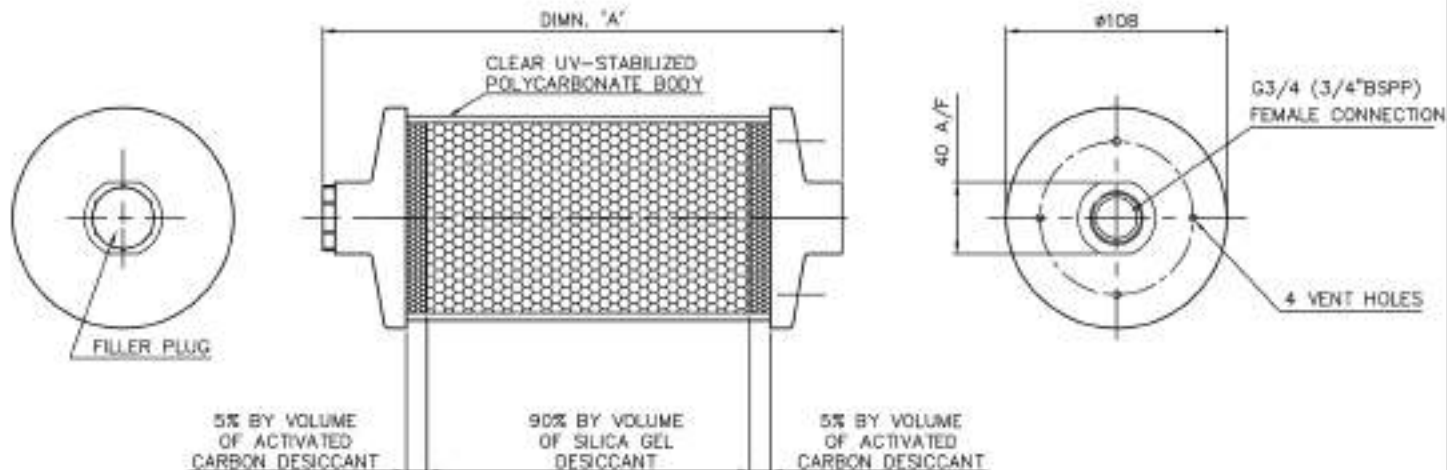
REMOVE ALL SHARP EDGES UNLESS SPECIFIED

THIRD ANGLE PROJECTION

DO NOT SCALE - ASK

USED ON

THIS DRAWING IS THE PROPERTY OF BROWNELL LTD. AND MAY NOT BE COPIED OR REPRODUCED WITHOUT THEIR PRIOR WRITTEN PERMISSION



NOTES :-

- FILLED WITH : 10% ACTIVATED CARBON DESICCANT.(HALF AT TOP, HALF AT BOTTOM)  
: 90% INDICATING BEADED SILICA GEL DESICCANT.
- DRY AIR OUTLET CLEANLINESS LEVEL : 25 MICRONS.

DRG. No.	DIMN. 'A'
BL/D9714/01	162
BL/D9714/02	254

CHANGE	MOD No	ISSUE	DATE
DIMENSION	5805	4	22/07/14
REDRAWN	6279	3	08-09-08

MATERIAL POLYCARBONATE (UNLESS OTHERWISE STATED)	PROTECTIVE FINISH _____	TOLERANCES ±2	
		SURFACE TEXTURE _____	_____
EST. WT.	_____	DIMENSIONS IN h/mm (mm)	
		SCALE (ORIGINAL) 1:2	

**BROWNELL Ltd. LONDON NW10 7XF**

TITLE RESERVOIR VENT DRYER  
(SENTINEL)

RED 501-ORIGINAL	DRAWN	CHECKED
BLACK 501-COPY	AF	
DRAWING NUMBER		
BL/D9714/01-02 INST		